

PRODUCT SHEET

TwistII Clean - High Flow Version Inline Sediment Filters for Water Systems

DESCRIPTION

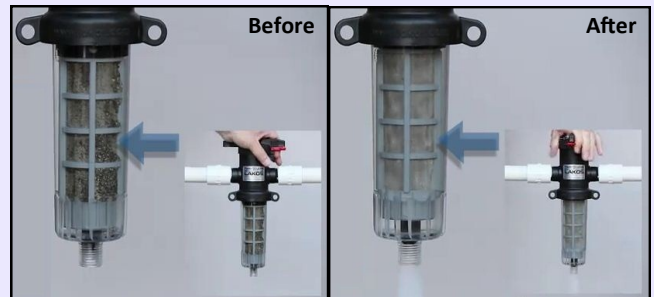
TwistII Clean inline sediment filters remove organics, sand and sediment from water systems. Easy to install and easy to use, **TwistII Clean** can be used on a as-and-when basis and provides quick and easy cleaning in less than 20 seconds.

A gentle ¼ TWIST of the handle begins the patented reverse flushing action, and the **TwistII Clean** backwashes itself from the inside out. All the debris is quickly and forcefully cleaned off the filter element and flushed from the bottom port.



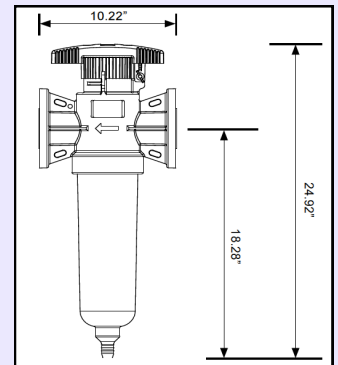
TECHNICAL CHARACTERISTICS

- Flow Range: 1 to 150 US gpm*(0.2 to 27.3 m3/hr)
- Maximum Pressure: 100 psi (6.9 bar)
- Inlet/Outlet: 2" flange connection (ANSI, DIN, JIS patterns)
- Maximum Temperature: 120°F (49°C)
- Mesh Sizes:
 - 60 Mesh (250 Micron) Element
 - 100 Mesh (150 Micron) Element
 - 140 Mesh (105 Micron) Element
 - 200 Mesh (74 Micron) Element



MAIN CHARACTERISTICS

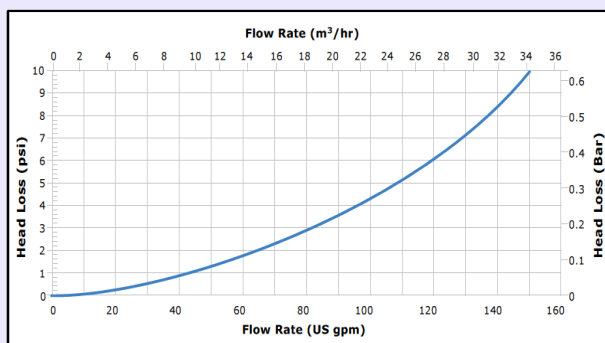
- No mess
- No disassembly to clean
- No need to turn off water to clean (eliminated air in system)
- No leaks
- Easy maintenance and no tools required
- Rugged design works with all plumbing systems indoors and outdoors
- Over 200% larger stainless steel screen area lasts for years, collects maximum debris between cleanings. Clear bowl shows when filter needs cleaning.



Typical applications: Home water well, agricultural and landscape irrigation, misting systems, pools, spas and more!

SPECIFICATIONS

Clean Conditions



For lower flow rates, refer to standard TwistII Clean model

Model	Inlet/Outlet	Purge	Screen Size	
			Mesh	Micron
T2C-200-60	2" Universal flange	¼ MPT	60	120
T2C-200-100	2" Universal flange	¼ MPT	100	150
T2C-200-140	2" Universal flange	¼ MPT	140	105
T2C-200-200	2" Universal flange	¼ MPT	200	74



www.youtube.com/geoquipwater



www.geoquipwatersolutions.com

geoquip water solutions limited

Unit 7, Sovereign Centre

Farthing Road Industrial Estate

Ipswich, IP1 5AP, ENGLAND

TEL: + 44 (0) 1473 462046

FAX: + 44 (0) 1473 462146

email: info@geoquipservices.co.uk